

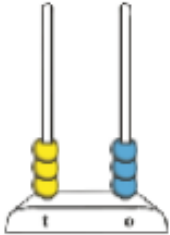
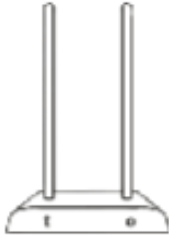
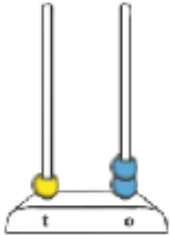
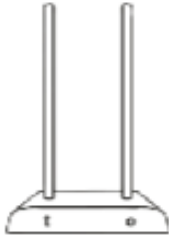
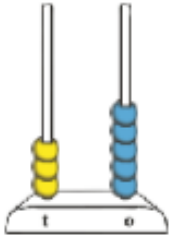
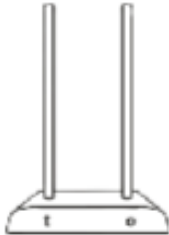
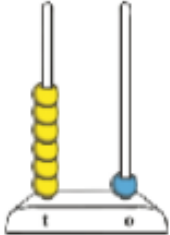
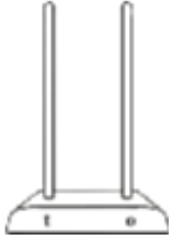
Continue this sequence adding 10 each time.

22	32	42	52	62	72	82	92
----	----	----	----	----	----	----	----

Continue this sequence by subtracting 10 each time

75	65	55	45	35	25	15	5
----	----	----	----	----	----	----	---

Draw the answer on the abacus.

	$+ 20 =$		53	
	$+ 50 =$			62
	$- 30 =$			5
	$- 40 =$			

Now use what you have learnt to answer these questions. If you can do this in your head using your number fact knowledge. If you need to, draw out your counting sequence like this..

$11 + 30 = 41$



$48 + 50 =$

98

$62 + 20 =$

82

$47 + 50 =$

97

$56 + 30 =$

86

$35 + 30 =$

65

$75 + 30 =$

105

$80 + 11 =$

91

$30 + 67 =$

97

$40 + 49 =$

89

$30 + 64 =$

94

Tuesday

Challenge 1

1 $32 + 4 = 36$

2 $32 + 5 = 37$

3 $41 + 4 = 45$

Challenge 2

1 $24 + 23 = 47$

2 $56 + 21 = 77$

3 $25 + 23 = 48$

4 $12 + 75 = 87$

5 $35 + 22 = 57$

6 $43 + 26 = 69$

Wednesday

Challenge 1

1 $26 + 8 = 34$

2 $35 + 7 = 42$

3 $46 + 9 = 55$

Challenge 2

1 $25 + 18 = 43$

2 $36 + 15 = 51$

3 $45 + 38 = 83$

4 $45 + 26 = 71$

5 $56 + 27 = 83$

6 $67 + 19 = 86$

Thursday

1 18

2 29

3 16

4 17

5 38

6 57

7 38

8 48

9 58

10 57

11 55

12 15

13 69

14 86

15 88